



DECKSLIFE

Decking & Flooring Suppliers

NewTechWood UltraShield[®]

Composite Outdoor Decking, Cladding, Fencing, Railing, Deck Tiles and More



DECKSLIFE

Decking & Flooring Suppliers



DecksLife

DecksLife is a pioneer in the development and manufacture of outdoor composite wood decking, wall cladding, fencing, railing, DIY QuickDeck and garden furnishings.

Since its early beginnings in 2004, DecksLife has been on the cutting edge in wood plastic composite technology, to develop products that bring beauty and practicality to our outdoor living experience. The secret to our success is that we listen to our customers, contractors, home builders, architects and homeowners and we provide the materials to bring their visions to life.

DecksLife has earned a worldwide reputation for our manufacture of attractive, innovative, and dependable wood plastic composite materials. With rich color variations, from deep chocolate tones to smoky wisps of grey, with natural wood grains, we've got that perfect color for that special project.



*is designed to provide unparalleled
Performance and Satisfaction.*

DecksLife

In 2010, DecksLife began a project to design and formulate the most durable, most attractive, most fade and scratch resistant, most beautiful and most reliable composite deck board in the industry: **UltraShield***, with few years of engineering and countless hours of field-testing has yielded a product of unmatched performance and beauty.

UltraShield* combines the proven strength of high density polyethylene plastic and wood fibers with an outer shell of polymer that completely encapsulates the board in an impermeable layer of protection from scratches, stains & fading.

*UltraShield, is a true game changer in the composite decking industry.
Conventional wood plastic composites are a thing of the past.*

Thinking Green

We were "Green" before "Green" was fashionable. Our parent company has been recycling plastic materials for almost 30 years. Every month we save truck loads of plastic from being buried in our landfills forever.

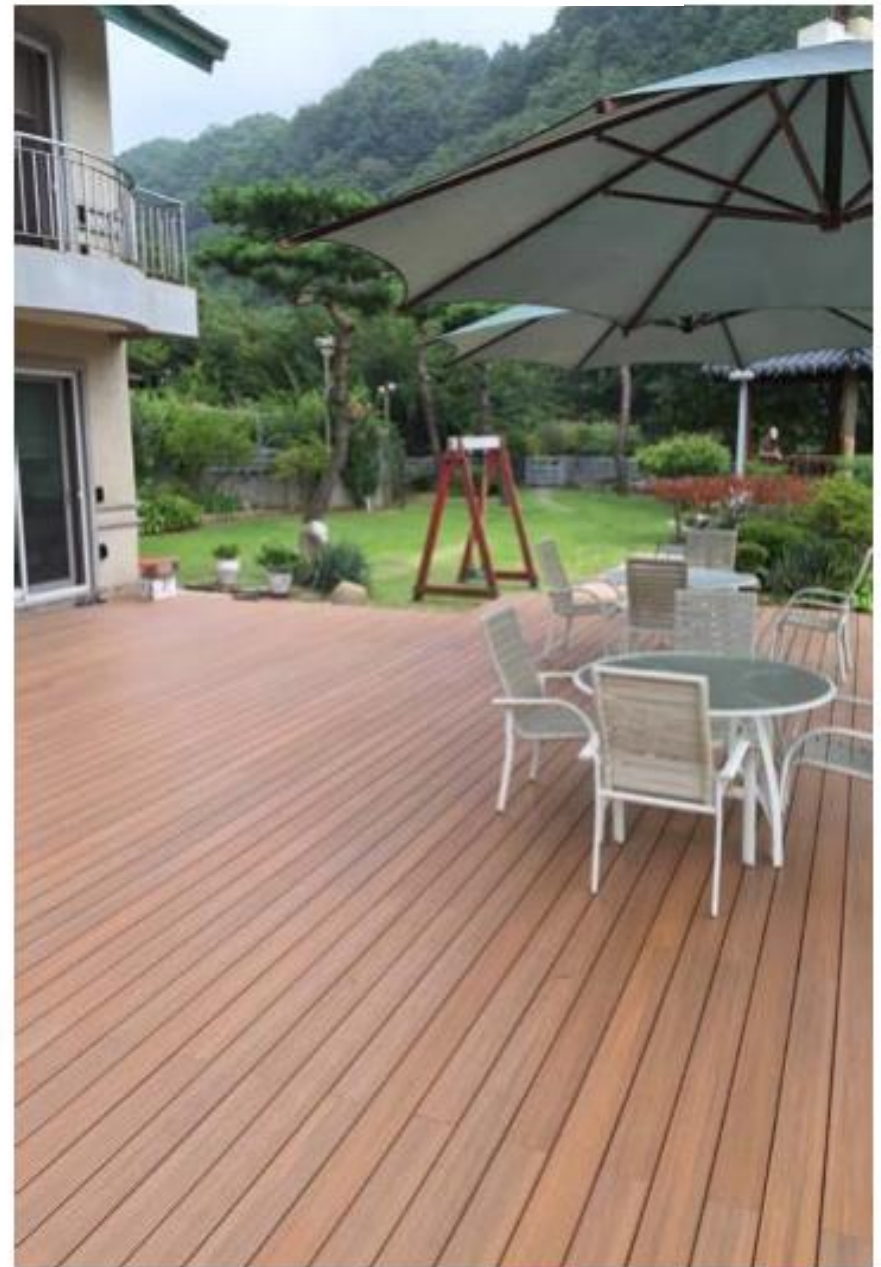
Since we control the entire recycling process, including the proper washing, sorting and screening for impurities, we know exactly what material is going into our products. Total vertical integration of our manufacturing process allows us total control, for consistent quality and color. It also allows us to manage our material costs for stable pricing and dependable product availability.

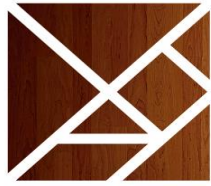
DecksLife *'s foundation was built on green principles and values.*

- Our products are made from 95 percent recycled materials, including clear plastic bottles and reclaimed wood fibers, which are excellent ecofriendly alternative to wood and can help generate LEED points.
- We employ yearly third party audits to comply with environmental, health, and safety guidelines and regulations.
- We've reduced our carbon footprint through waste reduction, energy conservation, and our vertically integrated manufacturing process.



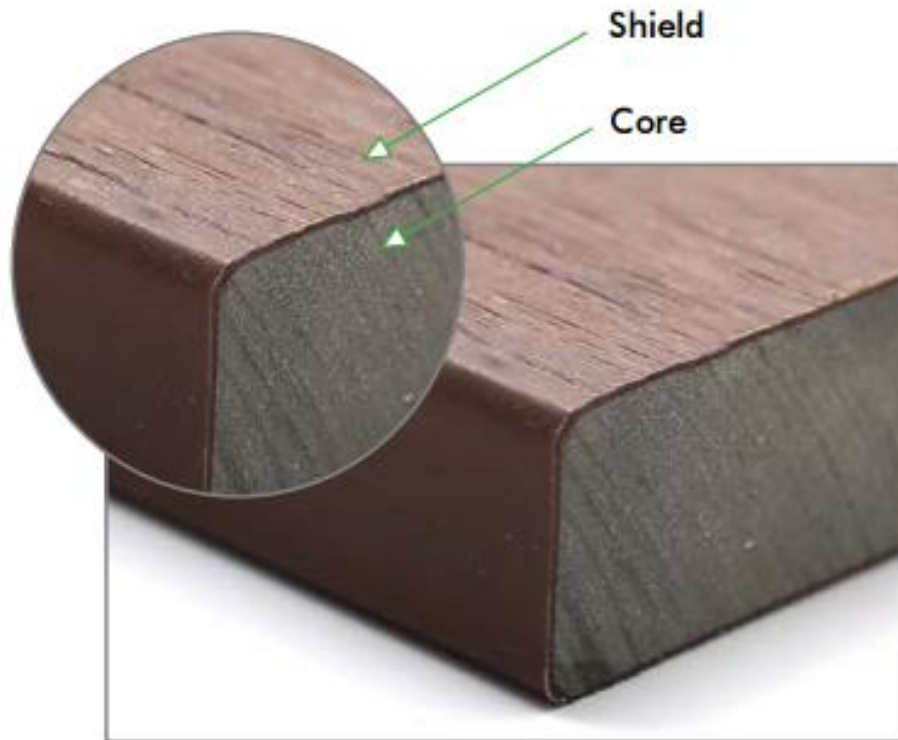
DECKSLIFE
Decking & Flooring Suppliers





DECKSLIFE

Decking & Flooring Suppliers



UltraShield* is a capped wood plastic composite, which means it has an advanced premium shield encasing all four sides around its inner core. The shield and core are extruded together under a very high temperature mold simultaneously, so there are no adhesives or chemicals that are harmful to the environment.

The core is made from carefully selected and 100% recycled material, including hard and soft wood fibers, as well as High Density Polyethylene recycled plastic, for greater strength and durability.

The shield uses an advanced engineering polymer to create a formulation which gives the boards **Ultra Protection against:**

× Stains

Wine, coffee, mustard and ketchup etc which makes UltraShield easy to clean, with low maintenance. Messes can be easily wiped off the surface because the liquid never gets absorbed by the shield, which makes **UltraShield** very easy to clean and low maintenance

× Color Fading

The unique formulation of the shield allows us to produce a natural look, with exotic color variations and a natural looking wood grain that hold up over time to even the most harsh weather conditions. No need to ever paint or stain ever again.

DecksLife has your back

We stand behind the quality of our products with the most comprehensive warranty in the industry.

Our 25 year limited transferable warranty allows you to sit back and enjoy your new deck.





UltraShield® Naturale™

UltraShield™'s exclusive colors & patterns give you endless possibilities. The latest Naturale™ line features a unique treatment on the shield to make it the most natural feeling capped wood plastic composite EVER.

- Each Board will have both Patterns -
- one on the front and one on the back -



UltraShield®
Naturale™

• Ten Colors •



Canadian Maple (MP)



English Oak (OK)



Peruvian Teak (TK)



Brazilian Ipe (IP)



Spanish Walnut (WN)



Icelandic Smoke White (SW)



Roman Antique (AT)



Egyptian Stone Gray (ST)



Westminster Gray (LG)



Hawaiian Charcoal (CH)


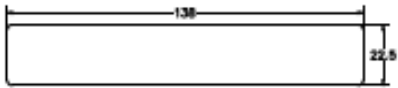

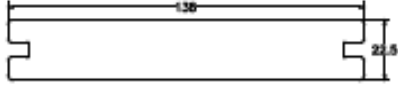


Note: some colors might be limited to certain profiles or countries, please consult with your local sale advisors.

Decking boards

UltraShield® decking comes in solid & hollow profiles for both commercial and residential applications. All of them are wrapped 360 degrees, including the grooves. The shield provides **ULTRA PROTECTION** against moisture, mold, fade, and mildew.

The solid square edge board US07 requires composite screws for installation, while all other grooved boards have compatible decking clips systems (hidden fasteners).








Matching colors decking accessories including: colored head stainless steel screws, starter clips, hidden fastener systems, end caps for hollow profiles, fascia boards in various dimensions for different conditions, are all available to perfectly finish the decking.

		Cortes Series US07 138 x 22.5 mm. 5.5 x 0.9 in.
		Magellan Series US01 138 x 22.5 mm. 5.5 x 0.9 in.
		Voyager Series UH02 138 x 22.5 mm. 5.5 x 0.9 in.

Decking Finishers

NewTechWood® has the following decking accessories available for different applications, to perfectly finish your decking,

- Fascia Boards in various dimensions;
- Capped Composite Decking Repair Kit;
- Stainless Steel Colored Head Screws;
- Starter Clip;
- Hidden fastener systems;
- End caps for hollow profiles,

		US25 138 x 6mm 5.5 x 0.25 in.
		US08 138 x 10 mm. 5.5 x 0.4 in.
		US03 180 x 15 mm. 7 x 0.6 in.
	End Cap Polymer with matching striking colors Fits circle hollow deck profiles: UH02	EC-UH02 138 x 23 mm. 5.5 x 0.9 in.

Focus in testing capped composite wood

Stain Test

Step 1. Stain with black ink



UltraShield®



Conventional composite wood

Step 2. Wipe out half of the ink



UltraShield®



Conventional composite wood

Step 3. Wash off by water



UltraShield®



Conventional composite wood

Last Step: Dry and see the result



UltraShield®

No penetration through the top layer and no stain left



Conventional composite wood

Stain remains

Scratch Test

* Use 1 mm needle

* Test scratch damage under 8N-20N pressure

Test Standard: FLTM BO 162-01



Test Device

Original



UltraShield®



Conventional composite wood

Test Result



UltraShield®

20N: No obvious mark



Conventional composite wood

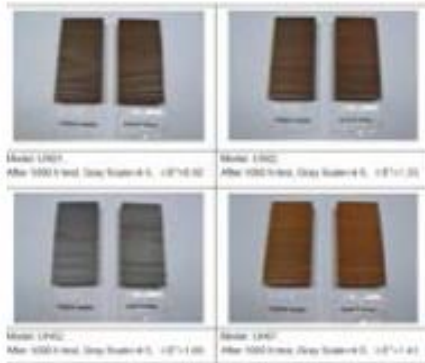
8N: Mark appears



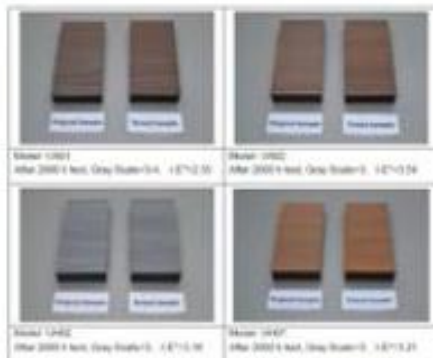
UV Test

* QUV chamber test up to 3000 hours, Observation & record in every 500 hours.

UltraShield® 1000 hrs: Delta E: 0.92 - 1.41

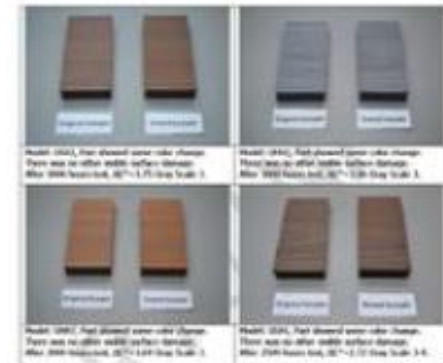


UltraShield® 2000 hrs: Delta E: 2.55 - 3.54



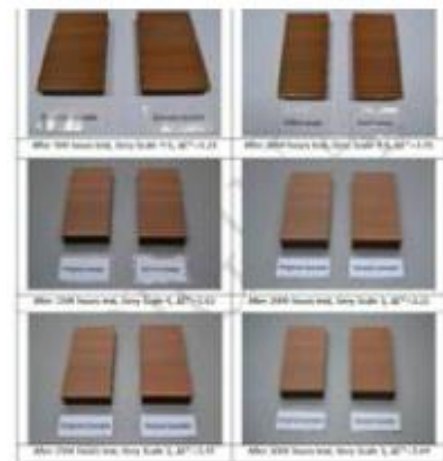
* QUV chamber test up to 3000 hours, Observation & record in every 500 hours.

UltraShield® 3000 hrs: Delta E: 2.72 - 3.75



Test Result

Tested in a QUV chamber for 3000 hours, no visible color change can be observed (Delta E < 4.0)





DecksLife DeScratch
Capped Composite Decking Repair Kit

Best for nail holes, chips, dents, and scratches

Colors: Maple, Teak, Ipe, Walnut, Redwood,
Light Gray, Charcoal, Smoke White,

2 x 10cm Wax Sticks/pack; Applicator included



DecksLife Composite Deck
Stainless Steel Colored Head Screws

Best for neat finishes on starting and ending boards
as well as fascias and stair treads.

Colors: Teak, Ipe, Walnut, Light Gray, Antique
#8 x 2", 100 screws/pack; #2 Square drive bit included


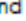


Starter Clip: MG-3

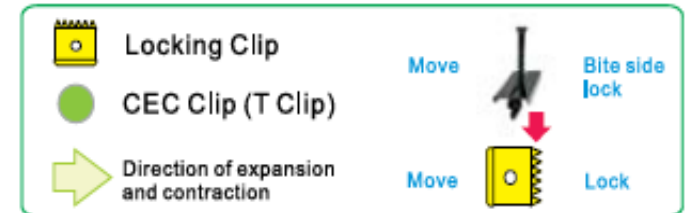
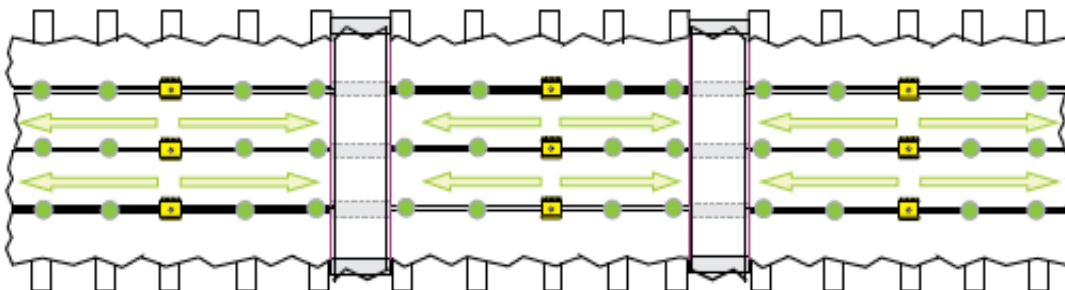
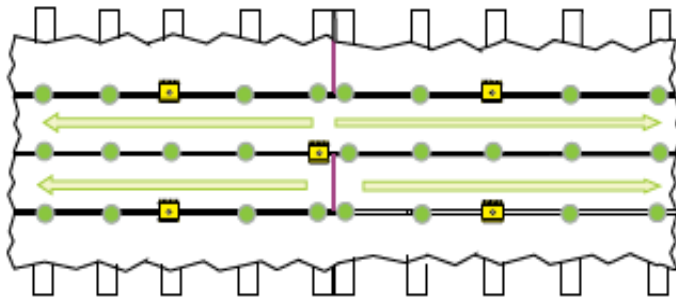
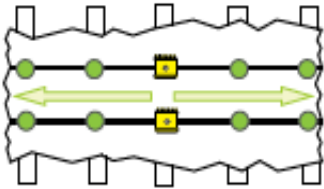
For fixing the first board

Black coated stainless steel

Decking Clips

DecksLife has clip systems which feature two clips, one locks and secures the board down (Locking Clip ) and the other allows for expansion and contraction (Control Expansion & Contraction - CEC Clip ), so that you don't experience warping or distortion of any kind after installation. The system works because it allows the user to control the direction in which the expansion and contraction will take place.

Decking Clips	Locking Clip 	CEC Clip 	
<p>T Clip System</p> <ul style="list-style-type: none"> • Economical • Easy installation • 5.5 mm gap 	 TC-1 (Stainless Steel)	 TC-2 (TPO Polymer)	 8.0-8.5mm



The illustrations show the basic examples of placing Locking and CEC Clips when installing a different number of **UltraShield®** decking boards.

Please visit www.newtechwood.com to download the full installation guides.





